

# CSLHHSQR3X – DRUVA® PUR CYLINDER REGULATOR

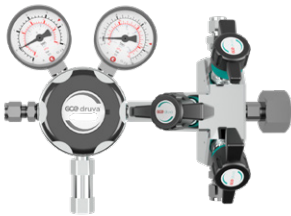
CYLINDER REGULATOR | PURE LINE (STAINLESS STEEL) | INNER PARTS NI-CR-MO-ALLOY | SINGLE STAGE | EXTERNAL GAS PURGING



This single-stage cylinder regulator with external gas purging can be used for hydrogen chloride and chlorine.

## TECHNICAL SPECIFICATION

- > Gas wetted internal parts are made of high-alloy stainless steel
- > Exclusively available with external gas purging on the inlet pressure side
- > Available with different cylinder connections according to national standards
- > Excellent pressure adjustment
- > Compact design
- > Pressure relief valve on outlet pressure side



**CSLHHSQR3X0**  
- No process gas shut-off valve on outlet

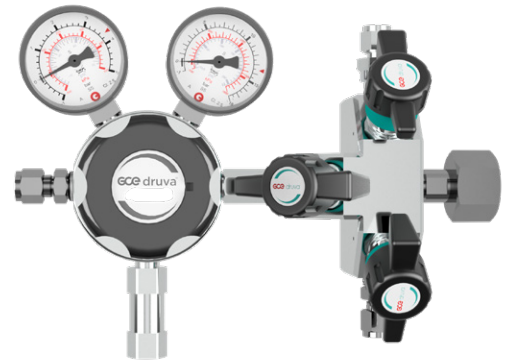
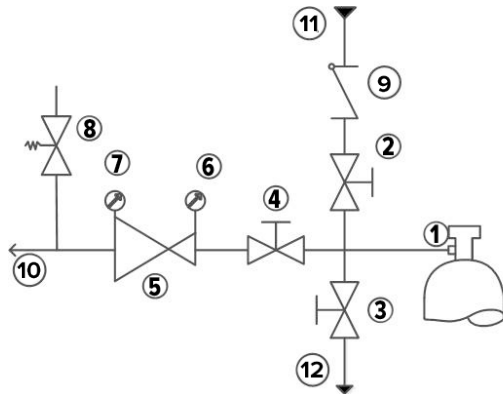


**CSLHHSQR3XS**  
- With process gas shut-off valve on outlet

TECHNICAL DATA – CYLINDER REGULATOR	
<b>Working temperature:</b>	-20 °C to +60 °C
<b>Leakage rate regulator seat:</b>	<1x10 <sup>-6</sup> mbar l/s (Helium)
<b>Leakage rate outside:</b>	<1x10 <sup>-9</sup> mbar l/s (Helium)
<b>Filter for purge block:</b>	1 x per inlet; 1 x per outlet
<b>Max. flow rate:</b>	50 slpm (Cl <sub>2</sub> ) 90 slpm (HCl)
<b>Max. inlet pressure:</b>	12 bar (Cl <sub>2</sub> ) 50 bar (HCl)
<b>Outlet pressure ranges:</b>	0,1 – 2 bar adjustable 0,2- 7 bar adjustable 0,3- 10 bar adjustable
<b>Pressure gauges rates (in brackets – pressure rates):</b>	2,5 (2)   10 (7)   18 (10/12)   65 (50) bar
<b>Cracking pressure relief valves (in brackets – pressure rates):</b>	3,1 (2)   10 (7)   15,4 (10) bar
<b>Material gas wetted parts regulator</b>	
<b>Body:</b>	Stainless Steel
<b>Regulator diaphragm:</b>	Ni-Cr-Mo-alloy (UNS N06022)
<b>Seat:</b>	PCTFE
<b>Poppet:</b>	Ni-Cr-Mo-alloy (UNS N06022)
<b>Material gas wetted parts purge block</b>	
<b>Diaphragm each valve:</b>	2x Elgiloy
<b>All valve poppets:</b>	Stainless Steel
<b>Each valve seat:</b>	PCTFE
<b>Material gas wetted parts relief valve</b>	
<b>Body:</b>	Stainless Steel
<b>Poppet:</b>	Stainless Steel
<b>Seat:</b>	FFKM
<b>Spring:</b>	Stainless Steel
<b>Material gas wetted parts check valve</b>	
<b>Body in clamp ring:</b>	Stainless Steel
<b>Poppet:</b>	Stainless Steel
<b>Seat:</b>	FFKM
<b>Cylinder connection:</b>	Stainless Steel
<b>Cylinder connection seal:</b>	PCTFE
<b>Produktionstest</b>	Pressure test with Helium of each item Seat leakage test with Helium of each item Helium leak test of each regulator against atmosphere Test of functionality of each item

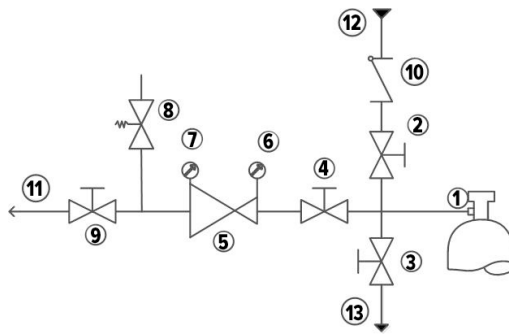
Option-30: with high pressure triple purge block

- 1 – Cylinder connection
- 2 – Inlet purge valve
- 3 – Outlet purge valve
- 4 – Inlet shut-off valve
- 5 – Pressure regulator
- 6 – Inlet gauge
- 7 – Outlet gauge
- 8 – Relief valve
- 9 – Check valve
- 10 – Processgas outlet
- 11 – Purge inlet
- 12 – Purge outlet

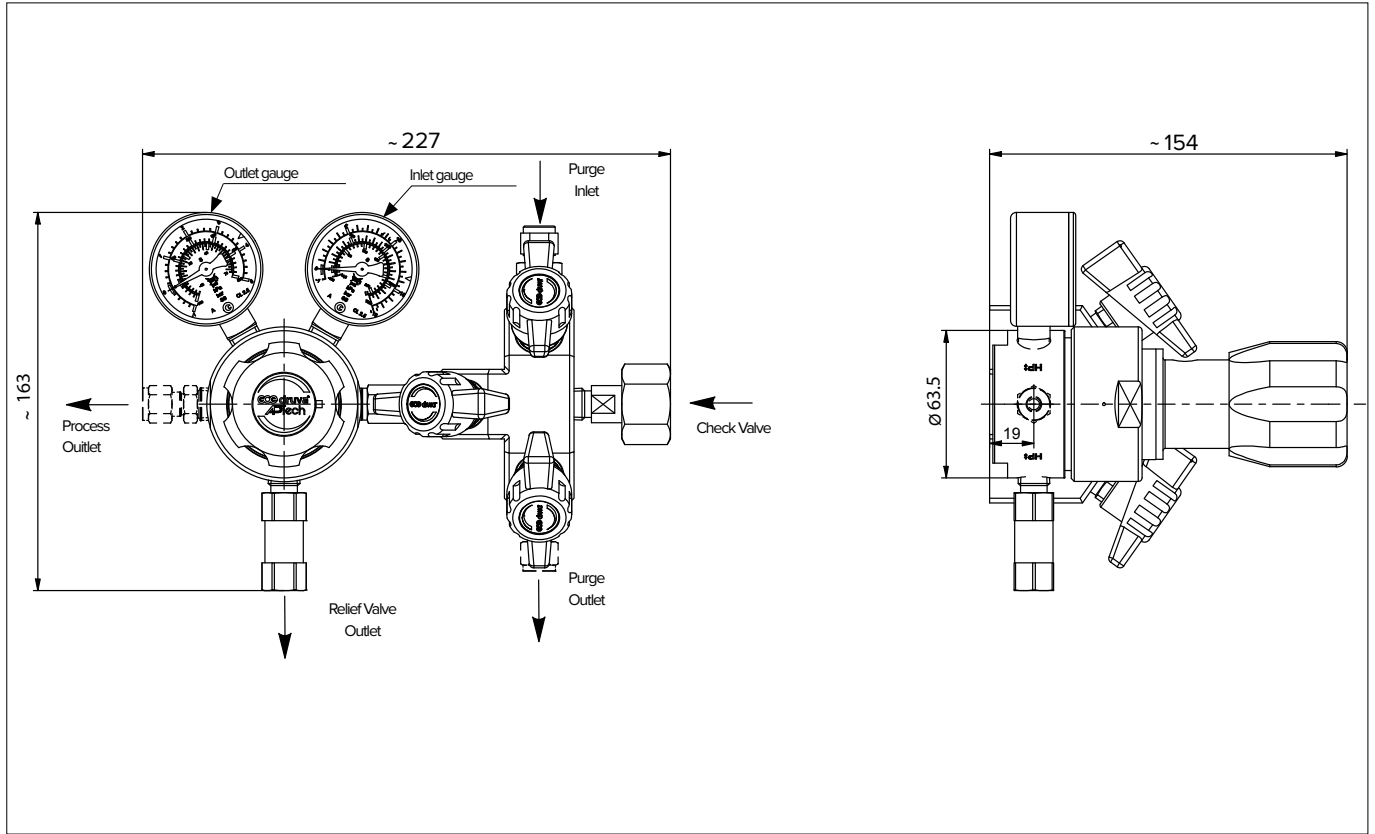


Option-35: with high pressure triple purge block & low pressure shut-off valve

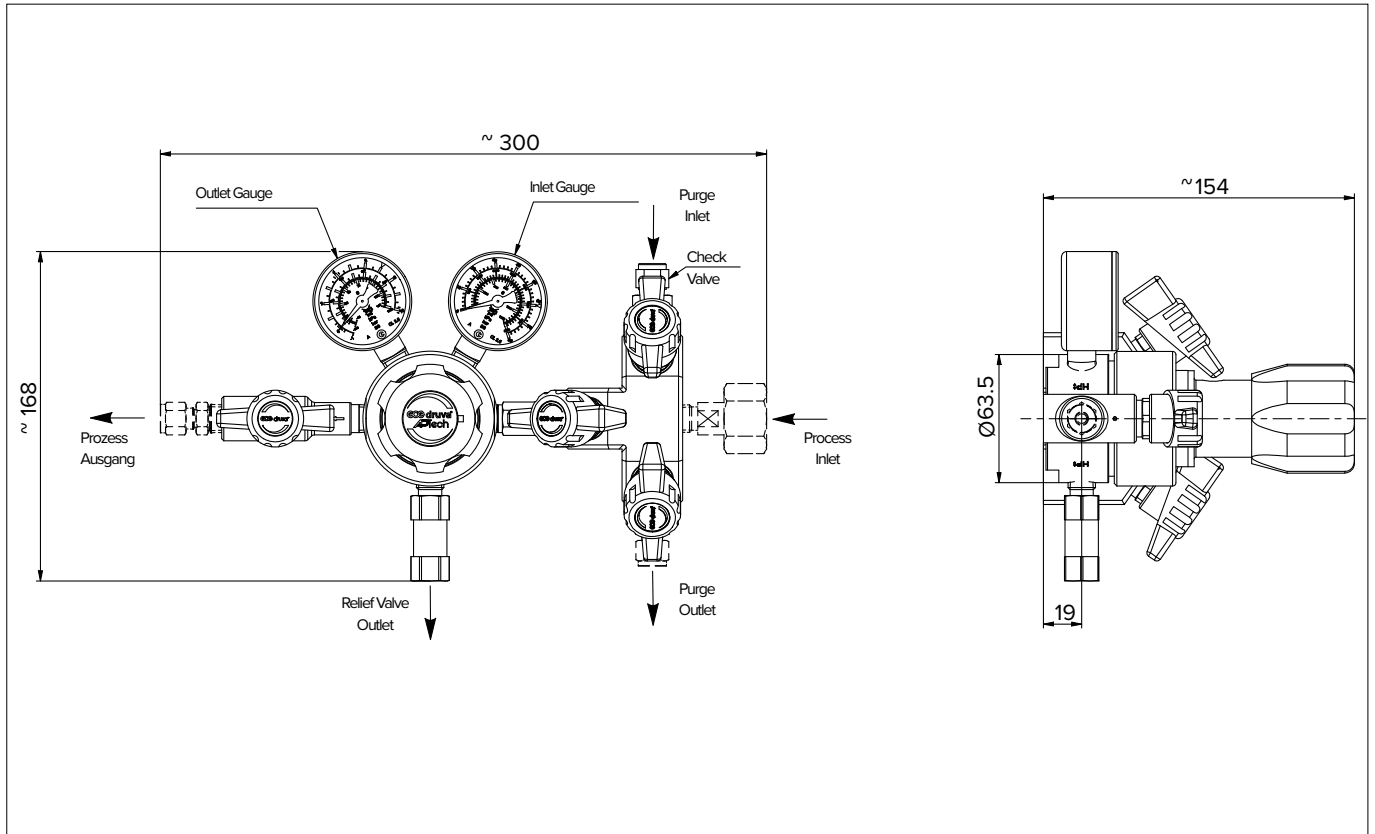
- 1 – Cylinder connection
- 2 – Inlet purge valve
- 3 – Outlet purge valve
- 4 – Inlet shut-off valve
- 5 – Pressure regulator
- 6 – Inlet gauge
- 7 – Outlet gauge
- 8 – Relief valve
- 9 – Outlet shut-off valve
- 10 – Check valve
- 11 – Processgas Outlet
- 12 – Purge inlet
- 13 – Purge outlet



TECHNICAL DRAWING – CSLHHSQR3X0:



TECHNICAL DRAWING – CSLHHSQR3XS:



ORDERING INFORMATION – CSLHHSQR3X – GAS TYPE HCL:

CSLHHSQR	30	EX	AX	BT	BT	DI008W	N14F
	Options	Inlet pressure (bar)	Outlet pressure (bar)	Inlet pressure gauge	Outlet pressure gauge	Cylinder connection	Outlet connection
	30 HP* triple purge block	EX 50	AX 2	BT Bourdon Tube gauge	BT Bourdon Tube gauge	DI008W DIN477 No 8 Wrench	possible connections see overview below
	3S HP* triple purge block und LP** Shut-off valve		D4 7			BS014W BSI341-14 Wrench	
			D2 10			CG330W CGA No 330 Wrench	
						NERU4W NEN RU4 Wrench	

\*HP High pressure side

\*\*LP Low pressure side

Example for a complete order number: *CSLHHSQR30EXAXBTDI008WN14F*

ORDERING INFORMATION – CSLHHSQR3X – GAS TYPE CL2:

CSLHHSQR	30	D1	AX	BT	BT	DI008W	N14F
	Options	Inlet pressure (bar)	Outlet pressure (bar)	Inlet pressure gauge	Outlet pressure gauge	Cylinder connection	Outlet connection
	30 HP* triple purge block	D1 12	AX 2	BT Bourdon Tube gauge	BT Bourdon Tube gauge	DI008W DIN477 No 8 Wrench	possible connections see overview below
	3S HP* triple purge block und LP** Shut-off valve		D4 7			BS014W BSI341-14 Wrench	
						NF00JW AFNOR Typ J Wrench	
						CG660W CGA No 660 Wrench	
						NERU4W NEN RU4 Wrench	

\*HP High pressure side

\*\*LP Low pressure side

Example for a complete order number: *CSLHHSQR30D1AXBTDI008WN14F*

**POSSIBLE OUTLET CONNECTIONS**

N14F - NPT 1/4 inch female

M03S - Compression ø 3MM Stainless Steel

M06S - Compression ø 6 MM Stainless Steel

M08S - Compression ø 8 MM Stainless Steel

IX2S - Compression ø 1/8" Stainless Steel

IX4S - Compression ø 1/4" Stainless Steel

IX6S - Compression ø 3/8" Stainless Steel